

DATA SHEET

TDA8350Q

**DC-coupled vertical deflection and
East-West output circuit**

Product specification
Supersedes data of January 1995
File under Integrated Circuits, IC02

1999 Sep 27

DC-coupled vertical deflection and East-West output circuit

TDA8350Q

FEATURES

- Few external components
- Highly efficient fully DC-coupled vertical output bridge circuit
- Vertical flyback switch
- Guard circuit
- Protection against:
 - short-circuit of the output pins
 - short-circuit of the output pins to V_P
- High EMC immunity due to common mode inputs
- Temperature protection
- East-West output stage with one single conversion resistor.

GENERAL DESCRIPTION

The TDA8350Q is a power circuit for use in 90° and 110° colour deflection systems for field frequencies of 50 to 120 Hz. The circuit provides a DC driven vertical deflection output circuit, operating as a highly efficient class G system and an East-West driver for sinking the diode modulator current.

QUICK REFERENCE DATA

SYMBOL	PARAMETER	CONDITIONS	MIN.	TYP.	MAX.	UNIT
DC supply						
V_P	supply voltage		9	–	25	V
I_P	quiescent current		–	30	–	mA
Vertical circuit						
$I_{O(p-p)}$	output current (peak-to-peak value)		–	–	3	A
$I_{diff(p-p)}$	differential input current (peak-to-peak value)		–	600	–	μ A
$V_{diff(p-p)}$	differential input voltage (peak-to-peak value)		–	1.5	1.8	V
Flyback switch						
I_M	peak output current		–	–	± 1.5	A
V_{FB}	flyback supply voltage		–	–	50	V
		note 1	–	–	60	V
East-West amplifier						
$I_{O(sink)}$	output current (sink only)		–	–	500	mA
$V_{O(sink)}$	peak output voltage	$I_{O(sink)} = 10 \mu$ A	–	–	40	V
I_{bias}	input bias current		–	–	1	μ A
Thermal data (in accordance with IEC 747-1)						
T_{stg}	storage temperature		–65	–	150	°C
T_{amb}	operating ambient temperature		–25	–	+75	°C
T_{vj}	virtual junction temperature		–	–	150	°C

Note

1. A flyback supply voltage of >50 V up to 60 V is allowed in application. A 220 nF capacitor in series with a 22 Ω resistor (depending on I_O and the inductance of the coil) has to be connected between pin 9 and ground. The decoupling capacitor of V_{FB} has to be connected between pin 8 and pin 4. This supply voltage line must have a resistance of 33 Ω (see application circuit Fig.5).

DC-coupled vertical deflection and East-West output circuit

TDA8350Q

ORDERING INFORMATION

TYPE NUMBER	PACKAGE		
	NAME	DESCRIPTION	VERSION
TDA8350Q	DBS13P	plastic DIL-bent-SIL power package; 13 leads (lead length 12 mm)	SOT141-6

BLOCK DIAGRAM

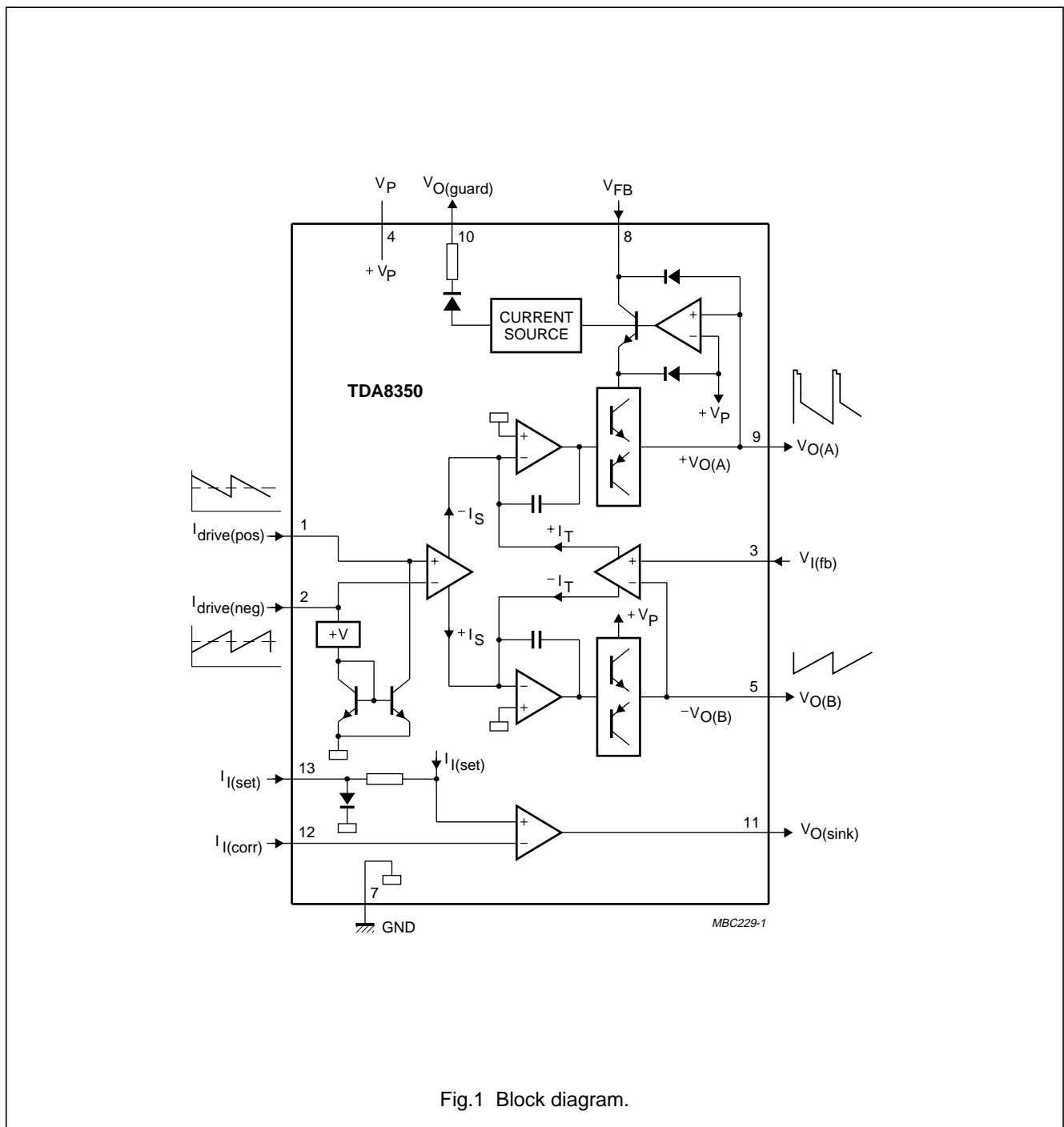


Fig.1 Block diagram.

DC-coupled vertical deflection and East-West output circuit

TDA8350Q

PINNING

SYMBOL	PIN	DESCRIPTION
$I_{drive(pos)}$	1	input power-stage (positive); includes $I_{I(sb)}$ signal bias
$I_{drive(neg)}$	2	input power-stage (negative); includes $I_{I(sb)}$ signal bias
$V_{I(fb)}$	3	feedback voltage input
V_P	4	supply voltage
$V_{O(B)}$	5	output voltage B
n.c.	6	not connected
GND	7	ground
V_{FB}	8	flyback supply voltage
$V_{O(A)}$	9	output voltage A
$V_{O(guard)}$	10	guard output voltage
$V_{O(sink)}$	11	East-West amplifier driver (sink) output voltage
$I_{I(corr)}$	12	East-West amplifier input correction current (negative)
$I_{I(set)}$	13	East-West amplifier set input current (positive)

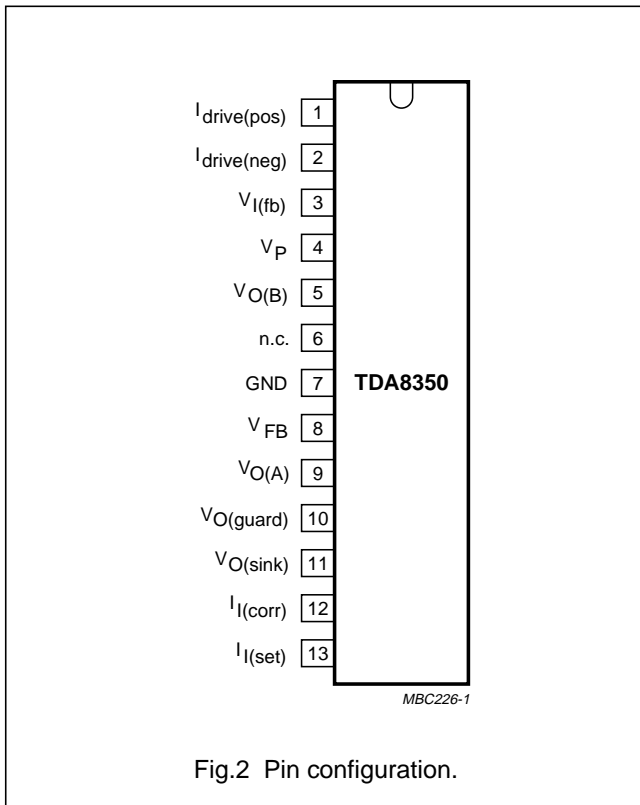


Fig.2 Pin configuration.

FUNCTIONAL DESCRIPTION

The vertical driver circuit is a bridge configuration. The deflection coil is connected between the output amplifiers, which are driven in opposite phase. An external resistor (R_M) connected in series with the deflection coil provides internal feed back information. The differential input circuit is voltage driven. The input circuit has been adapted to enable it to be used with the TDA9150, TDA9151B, TDA9160A, TDA9162, TDA8366 and TDA8367 which deliver symmetrical current signals. An external resistor (R_{CON}) connected between the differential input determines the output current through the deflection coil. The relationship between the differential input current and the output current is defined by: $I_{diff} \times R_{CON} = I_{(coil)} \times R_M$. The output current is adjustable from 0.5 A (p-p) to 3 A (p-p) by varying R_M . The maximum input differential voltage is 1.8 V. In the application it is recommended that $V_{diff} = 1.5$ V (typ). This is recommended because of the spread of input current and the spread in the value of R_{CON} .

The flyback voltage is determined by an additional supply voltage V_{FB} . The principle of operating with two supply voltages (class G) makes it possible to fix the supply voltage V_P optimum for the scan voltage and the second supply voltage V_{FB} optimum for the flyback voltage. Using this method, very high efficiency is achieved.

The supply voltage V_{FB} is almost totally available as flyback voltage across the coil, this being possible due to the absence of a decoupling capacitor (not necessary, due to the bridge configuration). Built-in protections are:

- thermal protection
- short-circuit protection of the output pins (pins 5 and 9)
- short-circuit protection of the output pins to V_P .

A guard circuit $V_{O(guard)}$ is provided. The guard circuit is activated at the following conditions:

- during flyback
- during various short-circuit possibilities at the output pins
- during open loop
- when the thermal protection is activated.

This signal can be used for blanking the picture tube screen.

An East-West amplifier is also provided. This amplifier is an inverting amplifier which is current driven. The output is a current sink.

DC-coupled vertical deflection and East-West output circuit

TDA8350Q

LIMITING VALUES

In accordance with the Absolute Maximum Rating System (IEC 134).

SYMBOL	PARAMETER	CONDITIONS	MIN.	MAX.	UNIT
DC supply					
V_P	supply voltage	non-operating	–	40	V
			–	25	V
V_{FB}	flyback supply voltage		–	50	V
		note 1		60	V
Vertical circuit					
I_O	output current (peak-to-peak value)	note 2	–	3	A
$V_{O(A)}$	output voltage (pin 9)		–	52	V
		note 1		62	V
Flyback switch					
I_M	peak output current		–	±1.5	A
East-West amplifier					
$V_{O(sink)}$	output voltage	$I_{O(sink)} = 10 \mu\text{A}$; note 3	–	40	V
$I_{O(sink)}$	output current	$V_{O(sink)} = 2 \text{ V}$; note 3	–	500	mA
Thermal data (in accordance with IEC 747-1)					
T_{stg}	storage temperature		–65	150	°C
T_{amb}	operating ambient temperature		–25	+75	°C
T_{vj}	virtual junction temperature		–	150	°C
$R_{th\ vj-c}$	resistance v_j -case		–	4	K/W
$R_{th\ vj-a}$	resistance v_j -ambient in free air		–	40	K/W
t_{sc}	short-circuiting time	note 4	–	1	hr

Notes

1. A flyback supply voltage of >50 V up to 60 V is allowed in application. A 220 nF capacitor in series with a 22 Ω resistor (depending on I_O and the inductance of the coil) has to be connected between pin 9 and ground. The decoupling capacitor of V_{FB} has to be connected between pin 8 and pin 4. This supply voltage line must have a resistance of 33 Ω (see application circuit Fig.5).
2. I_O maximum determined by current protection.
3. The operating area is limited by a straight line between the points $V_{O(sink)} = 40 \text{ V}$; $I_{O(sink)} = 10 \mu\text{A}$ and $V_{O(sink)} = 2 \text{ V}$; $I_{O(sink)} = 500 \text{ mA}$.
4. Up to $V_P = 18 \text{ V}$.

DC-coupled vertical deflection and East-West output circuit

TDA8350Q

CHARACTERISTICS

$V_P = 17.5$ V; $V_{FB} = 45$ V; $V_{O(sink)} = 20$ V; $f_i = 50$ Hz; $I_{I(sb)} = 400$ μ A; $T_{amb} = 25^\circ$ C; measured in test circuit of Fig.3; unless otherwise specified.

SYMBOL	PARAMETER	CONDITIONS	MIN.	TYP.	MAX.	UNIT
DC supply						
V_P	operating supply voltage		9	–	25	V
V_{FB}	flyback supply voltage		V_p	–	50	V
		note 1	–	–	60	V
I_P	supply current	no signal; no load	–	30	55	mA
Vertical circuit						
V_O	output voltage swing (scan)	$I_{diff} = 0.6$ mA (p-p); $V_{diff} = 1.8$ V (p-p); $I_O = 3$ A (p-p)	19.8	–	–	V
LE	linearity error	$I_O = 3$ A (p-p); note 2	–	1	3	%
		$I_O = 50$ mA (p-p); note 2	–	1	3	%
V_O	output voltage swing (flyback) $V_{O(A)} - V_{O(B)}$	$I_{diff} = 0.3$ mA; $I_O = 1.5$ A	–	39	–	V
V_{DF}	forward voltage of the internal efficiency diode ($V_{O(A)} - V_{FB}$)	$I_O = -1.5$ A; $I_{diff} = 0.3$ mA	–	–	1.5	V
$ I_{osl} $	output offset current	$I_{diff} = 0$; $I_{I(sb)} = 50$ to 500 μ A	–	–	30	mA
$ V_{osl} $	offset voltage at the input of the feedback amplifier $V_{I(fb)} - V_{O(B)}$	$I_{diff} = 0$; $I_{I(sb)} = 50$ to 500 μ A	–	–	18	mV
ΔV_{osT}	output offset voltage as a function of temperature	$I_{diff} = 0$;	–	–	72	μ V/K
$V_{O(A)}$	DC output voltage	$I_{diff} = 0$; note 3	–	8	–	V
G_v	open loop voltage gain (V_{9-5}/V_{1-2})	notes 4 and 5	–	80	–	dB
	open loop voltage gain (V_{9-5}/V_{3-5} ; $V_{1-2} = 0$)	note 4	–	80	–	dB
V_R	voltage ratio V_{1-2}/V_{3-5}		–	0	–	dB
f_{res}	frequency response (-3 dB)	note 6	–	40	–	Hz
G_I	current gain (I_O/I_{diff})		–	5000	–	
$\Delta G_I T$	current gain drift as a function of temperature		–	–	10^{-4}	/K
$I_{I(sb)}$	signal bias current		50	400	500	μ A
I_{FB}	flyback supply current	during scan	–	–	100	μ A
PSRR	power supply ripple rejection	note 7	–	80	–	dB
$V_{I(DC)}$	DC voltage at the input		–	2.7	–	V
$V_{I(CM)}$	common mode input voltage	$I_{I(sb)} = 0$	0	–	1.6	V
I_{bias}	input bias current	$I_{I(sb)} = 0$	–	0.1	0.5	μ A
$I_{O(CM)}$	common mode output current	$\Delta I_{I(sb)} = 300$ μ A (p-p); $f_i = 50$ Hz; $I_{diff} = 0$	–	0.2	–	mA

DC-coupled vertical deflection and East-West output circuit

TDA8350Q

SYMBOL	PARAMETER	CONDITIONS	MIN.	TYP.	MAX.	UNIT
East-West amplifier						
$V_{O(\text{sink})}$	saturation voltage	$I_{O(\text{sink})} = 500 \text{ mA};$ $I_{I(\text{corr})} = 0 \text{ }\mu\text{A};$ note 8	–	2.0	2.5	V
G_V	open loop voltage gain (V_{11}/V_{12})		–	47	–	dB
f_{res}	frequency response (–3 dB)		–	4000	–	Hz
LE	linearity error	$V_{O(\text{sink})} = 3 \text{ V}$	–	–	1	%
		$V_{O(\text{sink})} = 10 \text{ V};$ note 2	–	–	0.5	%
I_{bias}	input bias current (pin 12)		–	–	2	μA
$V_{I(\text{DC})}$	DC input voltage		–	1	–	V
I_{set}	offset voltage set current		–	1	–	mA
V_{13-7}	maximum allowed voltage at pin 13		–	–	0.3	V
Guard circuit						
I_O	output current	not active; $V_{O(\text{guard})} = 0 \text{ V}$	–	–	50	μA
	output current	active; $V_{O(\text{guard})} = 3.6 \text{ V}$	1	–	2.5	mA
$V_{O(\text{guard})}$	output voltage	$I_O = 100 \text{ }\mu\text{A}$	4.6	–	5.5	V
	allowable voltage on pin 10	maximum leakage current = $10 \text{ }\mu\text{A}$	–	–	40	V

Notes

- A flyback supply voltage of >50 V up to 60 V is allowed in application. A 220 nF capacitor in series with a 22 Ω resistor (depending on I_O and the inductance of the coil) has to be connected between pin 9 and ground. The decoupling capacitor of V_{FB} has to be connected between pin 8 and pin 4. This supply voltage line must have a resistance of 33 Ω (see application circuit Fig.5).
- The linearity error is measured without S-correction and based on the same measurement principle as performed on the screen. The measuring method is as follows:
Divide the output signal $I_5 - I_9$ (V_{RM}) into 22 equal parts ranging from 1 to 22 inclusive. Measure the value of two succeeding parts called one block starting with part 2 and 3 (block 1) and ending with part 20 and 21 (block 10). Thus part 1 and 22 are unused. The equations for linearity error for adjacent blocks (LEAB) and linearity error for not adjacent blocks (LENAB) are given below:

$$\text{LEAB} = \frac{a_k - a_{(k+1)}}{a_{\text{avg}}}; \quad \text{LENAB} = \frac{a_{\text{max}} - a_{\text{min}}}{a_{\text{avg}}}$$
- Referenced to V_P .
- The V values within formulae relate to voltages at or across the relative pin numbers, i.e. V_{9-5}/V_{1-2} = voltage value across pins 9 and 5 divided by voltage value across pins 1 and 2.
- V_{3-5} AC short-circuited.
- Frequency response V_{9-5}/V_{3-5} is equal to frequency response V_{9-5}/V_{1-2} .
- At $V_{(\text{ripple})} = 500 \text{ mV}$ eff; measured across R_M ; $f_i = 50 \text{ Hz}$.
- The output pin 11 requires a capacitor of minimum value 68 nF.

DC-coupled vertical deflection and East-West output circuit

TDA8350Q

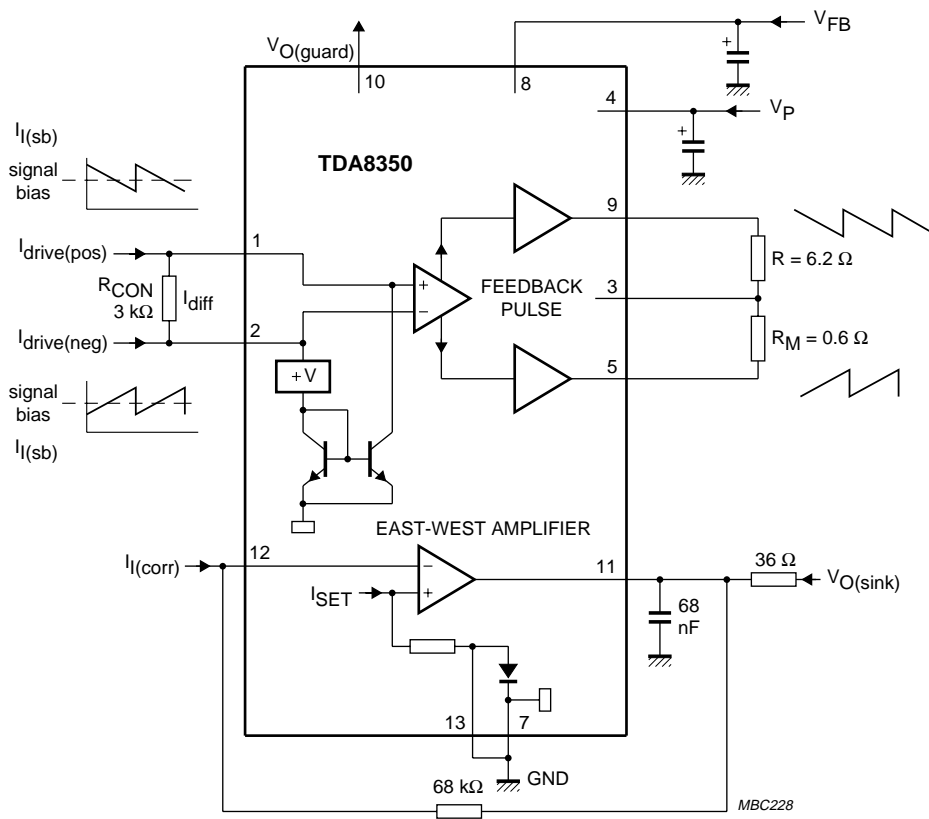
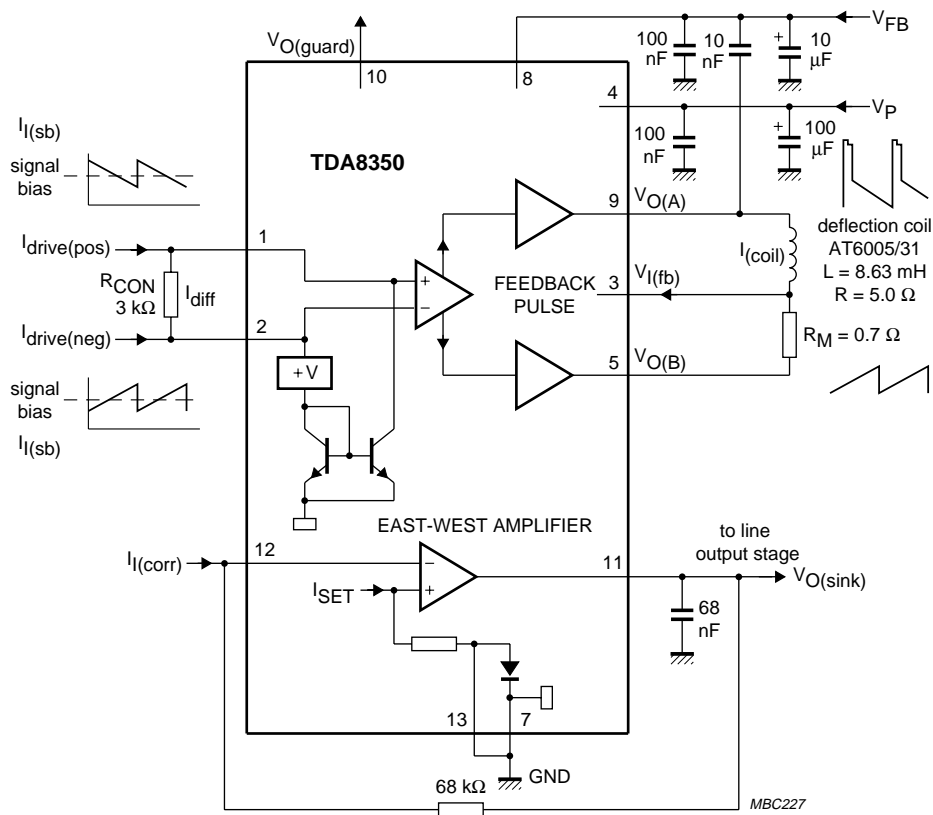


Fig.3 Test circuit.

DC-coupled vertical deflection and East-West output circuit

TDA8350Q

APPLICATION INFORMATION

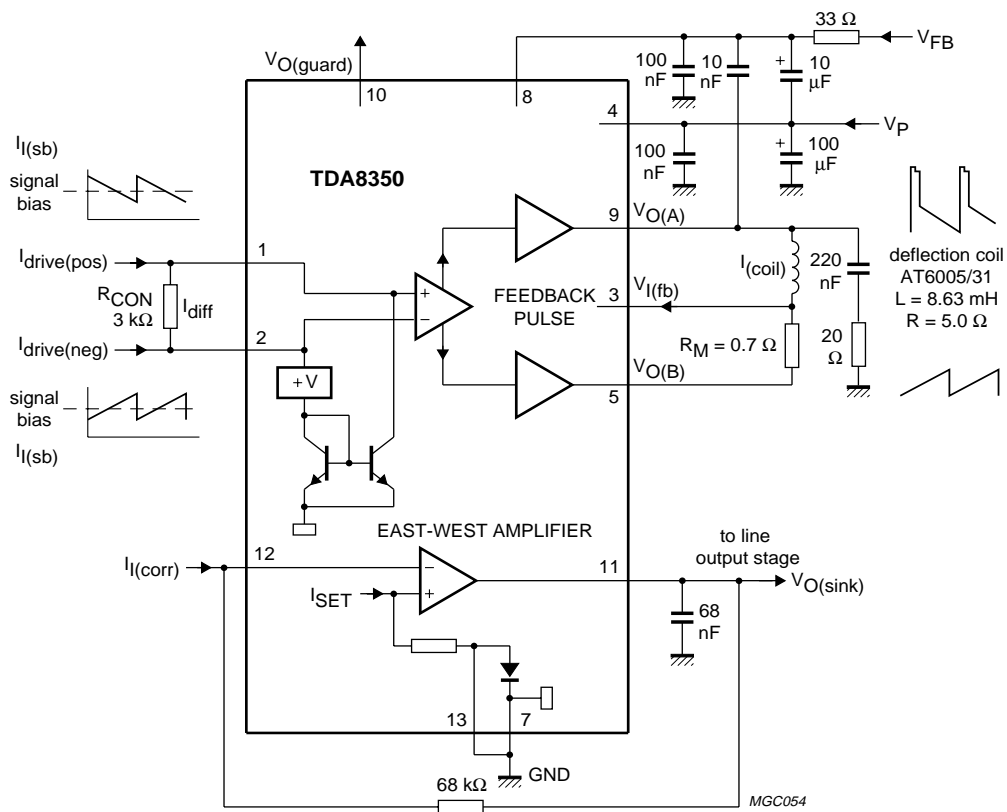


$V_P = 14 \text{ V}$; $I_{O(p-p)} = 2.14 \text{ A}$; $I_{l(sb)} = 400 \mu\text{A}$; $I_{diff(p-p)} = 500 \mu\text{A}$; $V_{FB} = 42 \text{ V}$; $t_{FB} = 0.6 \text{ ms}$.

Fig.4 Application diagram.

DC-coupled vertical deflection and East-West output circuit

TDA8350Q



V_P = 14 V; I_{O(p-p)} = 2.14 A; I_{I(sb)} = 400 μA; I_{diff(p-p)} = 500 μA; V_{FB} = 60 V; t_{FB} = 0.4 ms.

Fig.5 Application circuit; 50 V ≤ V_{FB} ≤ 60 V.

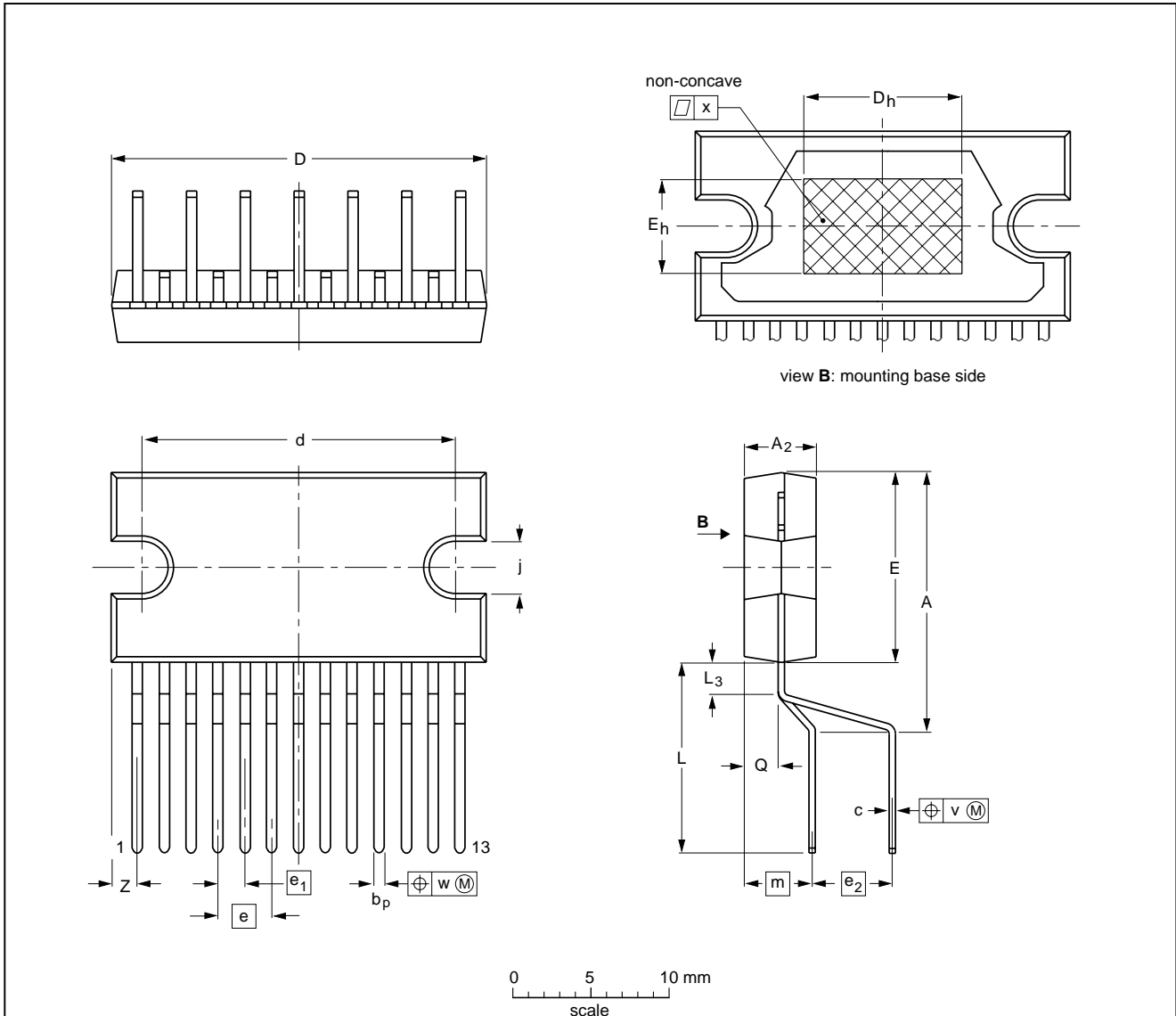
DC-coupled vertical deflection and East-West output circuit

TDA8350Q

PACKAGE OUTLINE

DBS13P: plastic DIL-bent-SIL power package; 13 leads (lead length 12 mm)

SOT141-6



DIMENSIONS (mm are the original dimensions)

UNIT	A	A ₂	b _p	c	D ⁽¹⁾	d	D _h	E ⁽¹⁾	e	e ₁	e ₂	E _h	j	L	L ₃	m	Q	v	w	x	Z ⁽¹⁾
mm	17.0 15.5	4.6 4.2	0.75 0.60	0.48 0.38	24.0 23.6	20.0 19.6	10	12.2 11.8	3.4	1.7	5.08	6	3.4 3.1	12.4 11.0	2.4 1.6	4.3	2.1 1.8	0.8	0.25	0.03	2.00 1.45

Note

1. Plastic or metal protrusions of 0.25 mm maximum per side are not included.

OUTLINE VERSION	REFERENCES				EUROPEAN PROJECTION	ISSUE DATE
	IEC	JEDEC	EIAJ			
SOT141-6						95-03-11 97-12-16

DC-coupled vertical deflection and East-West output circuit

TDA8350Q

SOLDERING

Introduction to soldering through-hole mount packages

This text gives a brief insight to wave, dip and manual soldering. A more in-depth account of soldering ICs can be found in our "Data Handbook IC26; Integrated Circuit Packages" (document order number 9398 652 90011).

Wave soldering is the preferred method for mounting of through-hole mount IC packages on a printed-circuit board.

Soldering by dipping or by solder wave

The maximum permissible temperature of the solder is 260 °C; solder at this temperature must not be in contact with the joints for more than 5 seconds.

The total contact time of successive solder waves must not exceed 5 seconds.

The device may be mounted up to the seating plane, but the temperature of the plastic body must not exceed the specified maximum storage temperature ($T_{stg(max)}$). If the printed-circuit board has been pre-heated, forced cooling may be necessary immediately after soldering to keep the temperature within the permissible limit.

Manual soldering

Apply the soldering iron (24 V or less) to the lead(s) of the package, either below the seating plane or not more than 2 mm above it. If the temperature of the soldering iron bit is less than 300 °C it may remain in contact for up to 10 seconds. If the bit temperature is between 300 and 400 °C, contact may be up to 5 seconds.

Suitability of through-hole mount IC packages for dipping and wave soldering methods

PACKAGE	SOLDERING METHOD	
	DIPPING	WAVE
DBS, DIP, HDIP, SDIP, SIL	suitable	suitable ⁽¹⁾

Note

- For SDIP packages, the longitudinal axis must be parallel to the transport direction of the printed-circuit board.

DEFINITIONS

Data sheet status	
Objective specification	This data sheet contains target or goal specifications for product development.
Preliminary specification	This data sheet contains preliminary data; supplementary data may be published later.
Product specification	This data sheet contains final product specifications.
Limiting values	
Limiting values given are in accordance with the Absolute Maximum Rating System (IEC 134). Stress above one or more of the limiting values may cause permanent damage to the device. These are stress ratings only and operation of the device at these or at any other conditions above those given in the Characteristics sections of the specification is not implied. Exposure to limiting values for extended periods may affect device reliability.	
Application information	
Where application information is given, it is advisory and does not form part of the specification.	

LIFE SUPPORT APPLICATIONS

These products are not designed for use in life support appliances, devices, or systems where malfunction of these products can reasonably be expected to result in personal injury. Philips customers using or selling these products for use in such applications do so at their own risk and agree to fully indemnify Philips for any damages resulting from such improper use or sale.

DC-coupled vertical deflection and
East-West output circuit

TDA8350Q

NOTES

DC-coupled vertical deflection and
East-West output circuit

TDA8350Q

NOTES

DC-coupled vertical deflection and
East-West output circuit

TDA8350Q

NOTES

Philips Semiconductors – a worldwide company

Argentina: see South America

Australia: 3 Figtree Drive, HOMEBUSH, NSW 2140,
Tel. +61 2 9704 8141, Fax. +61 2 9704 8139

Austria: Computerstr. 6, A-1101 WIEN, P.O. Box 213,
Tel. +43 1 60 101 1248, Fax. +43 1 60 101 1210

Belarus: Hotel Minsk Business Center, Bld. 3, r. 1211, Volodarski Str. 6,
220050 MINSK, Tel. +375 172 20 0733, Fax. +375 172 20 0773

Belgium: see The Netherlands

Brazil: see South America

Bulgaria: Philips Bulgaria Ltd., Energoproject, 15th floor,
51 James Bourchier Blvd., 1407 SOFIA,
Tel. +359 2 68 9211, Fax. +359 2 68 9102

Canada: PHILIPS SEMICONDUCTORS/COMPONENTS,
Tel. +1 800 234 7381, Fax. +1 800 943 0087

China/Hong Kong: 501 Hong Kong Industrial Technology Centre,
72 Tat Chee Avenue, Kowloon Tong, HONG KONG,
Tel. +852 2319 7888, Fax. +852 2319 7700

Colombia: see South America

Czech Republic: see Austria

Denmark: Sydhavnsgade 23, 1780 COPENHAGEN V,
Tel. +45 33 29 3333, Fax. +45 33 29 3905

Finland: Sinikalliontie 3, FIN-02630 ESPOO,
Tel. +358 9 615 800, Fax. +358 9 6158 0920

France: 51 Rue Carnot, BP317, 92156 SURESNES Cedex,
Tel. +33 1 4099 6161, Fax. +33 1 4099 6427

Germany: Hammerbrookstraße 69, D-20097 HAMBURG,
Tel. +49 40 2353 60, Fax. +49 40 2353 6300

Hungary: see Austria

India: Philips INDIA Ltd, Band Box Building, 2nd floor,
254-D, Dr. Annie Besant Road, Worli, MUMBAI 400 025,
Tel. +91 22 493 8541, Fax. +91 22 493 0966

Indonesia: PT Philips Development Corporation, Semiconductors Division,
Gedung Philips, Jl. Buncit Raya Kav.99-100, JAKARTA 12510,
Tel. +62 21 794 0040 ext. 2501, Fax. +62 21 794 0080

Ireland: Newstead, Clonskeagh, DUBLIN 14,
Tel. +353 1 7640 000, Fax. +353 1 7640 200

Israel: RAPAC Electronics, 7 Kehilat Saloniki St, PO Box 18053,
TEL AVIV 61180, Tel. +972 3 645 0444, Fax. +972 3 649 1007

Italy: PHILIPS SEMICONDUCTORS, Via Casati, 23 - 20052 MONZA (MI),
Tel. +39 039 203 6838, Fax +39 039 203 6800

Japan: Philips Bldg 13-37, Kohnan 2-chome, Minato-ku,
TOKYO 108-8507, Tel. +81 3 3740 5130, Fax. +81 3 3740 5057

Korea: Philips House, 260-199 Itaewon-dong, Yongsan-ku, SEOUL,
Tel. +82 2 709 1412, Fax. +82 2 709 1415

Malaysia: No. 76 Jalan Universiti, 46200 PETALING JAYA, SELANGOR,
Tel. +60 3 750 5214, Fax. +60 3 757 4880

Mexico: 5900 Gateway East, Suite 200, EL PASO, TEXAS 79905,
Tel. +9-5 800 234 7381, Fax +9-5 800 943 0087

Middle East: see Italy

Netherlands: Postbus 90050, 5600 PB EINDHOVEN, Bldg. VB,
Tel. +31 40 27 82785, Fax. +31 40 27 88399

New Zealand: 2 Wagener Place, C.P.O. Box 1041, AUCKLAND,
Tel. +64 9 849 4160, Fax. +64 9 849 7811

Norway: Box 1, Manglerud 0612, OSLO,
Tel. +47 22 74 8000, Fax. +47 22 74 8341

Pakistan: see Singapore

Philippines: Philips Semiconductors Philippines Inc.,
106 Valero St. Salcedo Village, P.O. Box 2108 MCC, MAKATI,
Metro MANILA, Tel. +63 2 816 6380, Fax. +63 2 817 3474

Poland: Al.Jerozolimskie 195 B, 02-222 WARSAW,
Tel. +48 22 5710 000, Fax. +48 22 5710 001

Portugal: see Spain

Romania: see Italy

Russia: Philips Russia, Ul. Usatcheva 35A, 119048 MOSCOW,
Tel. +7 095 755 6918, Fax. +7 095 755 6919

Singapore: Lorong 1, Toa Payoh, SINGAPORE 319762,
Tel. +65 350 2538, Fax. +65 251 6500

Slovakia: see Austria

Slovenia: see Italy

South Africa: S.A. PHILIPS Pty Ltd., 195-215 Main Road Martindale,
2092 JOHANNESBURG, P.O. Box 58088 Newville 2114,
Tel. +27 11 471 5401, Fax. +27 11 471 5398

South America: Al. Vicente Pinzon, 173, 6th floor,
04547-130 SÃO PAULO, SP, Brazil,
Tel. +55 11 821 2333, Fax. +55 11 821 2382

Spain: Balmes 22, 08007 BARCELONA,
Tel. +34 93 301 6312, Fax. +34 93 301 4107

Sweden: Kottbygatan 7, Akalla, S-16485 STOCKHOLM,
Tel. +46 8 5985 2000, Fax. +46 8 5985 2745

Switzerland: Allmendstrasse 140, CH-8027 ZÜRICH,
Tel. +41 1 488 2741 Fax. +41 1 488 3263

Taiwan: Philips Semiconductors, 6F, No. 96, Chien Kuo N. Rd., Sec. 1,
TAIPEI, Taiwan Tel. +886 2 2134 2886, Fax. +886 2 2134 2874

Thailand: PHILIPS ELECTRONICS (THAILAND) Ltd.,
209/2 Sanpavuth-Bangna Road Prakanong, BANGKOK 10260,
Tel. +66 2 745 4090, Fax. +66 2 398 0793

Turkey: Yukari Dudullu, Org. San. Blg., 2.Cad. Nr. 28 81260 Umraniye,
ISTANBUL, Tel. +90 216 522 1500, Fax. +90 216 522 1813

Ukraine: PHILIPS UKRAINE, 4 Patrice Lumumba str., Building B, Floor 7,
252042 KIEV, Tel. +380 44 264 2776, Fax. +380 44 268 0461

United Kingdom: Philips Semiconductors Ltd., 276 Bath Road, Hayes,
MIDDLESEX UB3 5BX, Tel. +44 208 730 5000, Fax. +44 208 754 8421

United States: 811 East Arques Avenue, SUNNYVALE, CA 94088-3409,
Tel. +1 800 234 7381, Fax. +1 800 943 0087

Uruguay: see South America

Vietnam: see Singapore

Yugoslavia: PHILIPS, Trg N. Pasica 5/v, 11000 BEOGRAD,
Tel. +381 11 62 5344, Fax.+381 11 63 5777

For all other countries apply to: Philips Semiconductors,
International Marketing & Sales Communications, Building BE-p, P.O. Box 218,
5600 MD EINDHOVEN, The Netherlands, Fax. +31 40 27 24825

Internet: <http://www.semiconductors.philips.com>

© Philips Electronics N.V. 1999

SCA 68

All rights are reserved. Reproduction in whole or in part is prohibited without the prior written consent of the copyright owner.

The information presented in this document does not form part of any quotation or contract, is believed to be accurate and reliable and may be changed without notice. No liability will be accepted by the publisher for any consequence of its use. Publication thereof does not convey nor imply any license under patent- or other industrial or intellectual property rights.

Printed in The Netherlands

545004/02/pp16

Date of release: 1999 Sep 27

Document order number: 9397 750 06202

Let's make things better.

Philips
Semiconductors



PHILIPS